

Sony recommends Windows Vista™ Home Premium.

Specifications

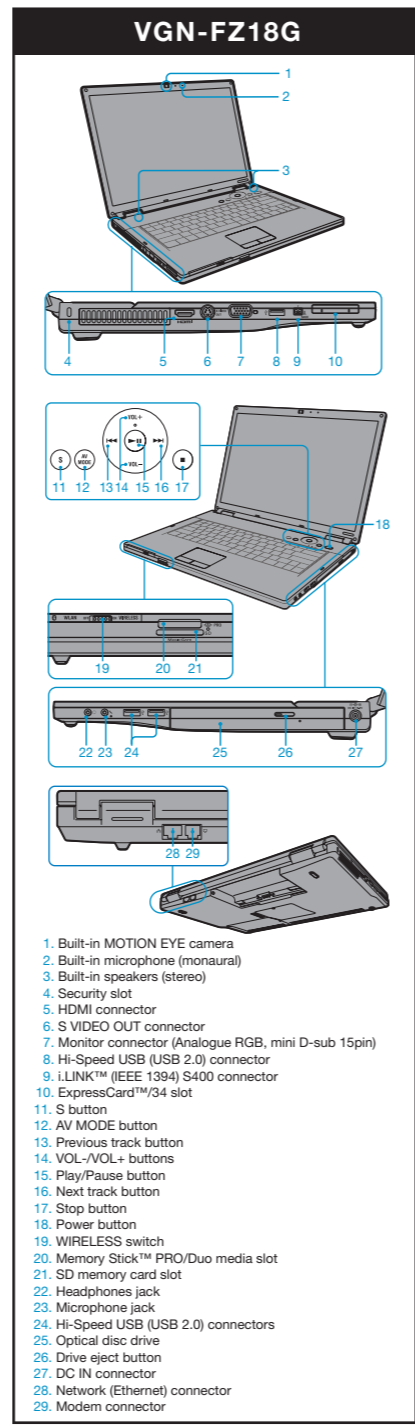
<b>Model</b>	VGN-FZ18G
<b>Processor Technology</b>	Intel® Centrino® Duo Processor Technology • Intel® Core™2 Duo Processor T7500 (2.20GHz)1*2 • Intel® PRO/Wireless 3945ABG Network Connection • Mobile Intel® PM965 Express Chipset
<b>OS</b>	Genuine Windows Vista™ Home Premium (English version) with Traditional Chinese Language Pack
<b>Chipset</b>	Mobile Intel® PM965 Express Chipset
<b>Processor System Bus</b>	800MHz
<b>Memory Bus</b>	667MHz
<b>Cache Memory</b>	4MB Advanced Smart Cache
<b>Main Memory</b>	Pre-installed / Max 1GB*3 (upgradeable up to 2GB)
<b>Memory SO-DIMM slots</b>	2 SO-DIMM slots (The pre-installed memory module uses one)
<b>Hard Disk Drive</b>	160GB (HDD recovery storage max: 8GB*4, C: Remain) Serial ATA, 5400rpm
<b>Drive</b>	Blu-ray Disc™ Drive*5
<b>Optical Disc Drive</b>	<b>Maximum Reading Speed</b> BD-ROM: 2x / BD-R: 2x (Single Layer), 1.6x (Dual Layer) / BD-RE: 2x (Single Layer), 1.6x (Dual Layer) / DVD+R: 8x (Single Layer), 6x (Double Layer) / DVD-R: 8x (Single Layer), 6x (Dual Layer) / DVD-RW: 6x / DVD+RW: 6x / DVD-ROM: 8x / DVD-RAM: 5x / CD-ROM: 24x / CD-R: 24x / CD-RW: 24x <b>Maximum Writing Speed</b> BD-R: 2x (Single Layer), 1x (Dual Layer) / BD-RE: 2x (Single Layer), 1x (Dual Layer) / DVD+R: 8x (Single Layer), 2.4x (Double Layer) / DVD-R: 8x (Single Layer), 2x (Dual Layer) / DVD+RW: 4x / DVD-RW: 4x / DVD-RAM: 5x / CD-R: 8x / CD-RW: 8x
<b>Graphics Accelerator</b>	NVIDIA® GeForce® 8400M GT notebook graphics processing unit (GPU)
<b>Total Available Graphics Memory (Max)*6</b>	511MB
<b>Display</b>	15.4" Wide (WXGA: 1280 x 800) TFT Colour display (Clear Bright High Colour LCD 90)
<b>USB</b>	High Speed USB 2.0 x 3
<b>i.LINK (IEEE 1394)</b>	4pin (S400) x 1
<b>Network (RJ-45) Connector</b>	10Base-T/100Base-TX x 1
<b>Display Output Connector</b>	Analogue RGB, mini D-sub 15pin x 1
<b>S Video In/Out Connector</b>	Output x 1*7
<b>Headphone</b>	stereo mini jack x 1
<b>Microphone</b>	stereo mini jack x 1
<b>HDMI Connector</b>	Output x 1
<b>Modem</b>	V.92 and V.90 Compliant x 1
<b>Memory Stick Slot</b>	Memory Stick (Standard/Duo Size compatible, MagicGate compatible, Memory Stick PRO compatible, High-speed data transfer compatible)*8
<b>SD Memory Card Slot</b>	SD Memory Card*9 (SDHC compatible, MMC compatible)
<b>DC IN</b>	x 1
<b>Wireless LAN</b>	• Integrated Wireless LAN IEEE 802.11a/b/g*10 • Intel® PRO/Wireless 3945ABG Network Connection • Data rate: maximum 11Mbps (802.11b) / 54Mbps (802.11a/g)*11 • Frequency: 5GHz (802.11a), 2.4GHz (802.11b/g)
<b>Bluetooth</b>	Bluetooth standard Ver. 2.0+EDR
<b>Compatible Memory Cards</b>	• Memory Stick (Standard/Duo Size compatible, MagicGate compatible, Memory Stick PRO compatible, High-speed data transfer compatible) • SD Memory Card (SDHC compatible) • Multi Media Card
<b>PC Card Slot</b>	ExpressCard™/34 x1
<b>Camera</b>	• Effective Pixels: 640 x 480 • Image Device: 1/6" VGA CMOS sensor • Lens: 2 elements in 2 groups F2.8 • Focus distance: f=2.45mm
<b>Audio</b>	• DSD compatible high quality sound chip: "Sound Reality" (Intel® High Definition Audio compatible) • 3D audio (Direct Sound 3D support) • Built-in stereo speakers • Built-in monaural microphone
<b>Keyboard / Input Device</b>	• Approx. 19mm key pitch / 2mm keystroke • 82 keys • Intelligent Touchpad
<b>Battery Bundled Battery</b>	VGP-BPSS Lithium-ion battery: up to 2.5 hours of use
<b>Life*12 Optional Long Battery</b>	VGP-BPL8 Lithium-ion battery: up to 4 hours of use
<b>Dimensions (W x H x D)</b>	355.8 x 24.9 - 34.5 x 254.4mm
<b>Weight</b>	2.7kg (including the supplied battery)
<b>Included Software</b>	• <b>AV Entertainment:</b> Windows® Media Center, Image Converter 3 • <b>Video Edit/Playback:</b> VAIO Video & Photo Suite 1.1, Adobe® Premiere® Elements 3.0, VAIO Edit Components 6.2, WinDVD BD for VAIO 8.0 • <b>DVD Creation:</b> Click to DVD BD 3.0*13 • <b>Music:</b> SonicStage CP 4.3, SonicStage Mastering Studio 2.3, SonicStage Mastering Studio Audio Filter 2.3, DSD Direct Player 1.0 • <b>Still Image/Photo:</b> Windows® Photo Gallery, Adobe® Photoshop® Elements 5.0 (Installer) • <b>Home Network:</b> VAIO Media 6.0 • <b>Tool:</b> Roxio Easy Media Creator 9.0, Adobe® Reader® 8, Norton Internet Security™ 2007*14 • <b>Utilities:</b> VAIO Control Center 2.0, VAIO AV Mode Launcher 1.0, VAIO Camera Utility 2.0, VAIO Camera Capture Utility 2.2 • <b>Support:</b> VAIO Recovery Utility, VAIO Update 3.0, VAIO Hardware Diagnostics 3.3
<b>Supplied Accessories</b>	• AC Adaptor (VGP-AC19V24)*15 • Lithium-ion battery (VGP-BPSS)*16
<b>Warranty</b>	One year*17

Features and specifications are subject to change without notice.  
 \*1 CPU speed will be reduced under certain operating conditions. \*2 Intel® Virtualization Technology is not supported on VAIO. \*3 If memory modules of the same capacity are installed to both of the two memory module slots, computer will run in dual channel mode and provide better performance. \*4 Necessary data for recovery (setting back to initial shipment settings) in the hard disk drive consuming approximately 8GB in size is available separately. \*5 This product does not support BD-RE 1.0 discs and Blu-ray cartridge discs. \*6 Total Available Graphics Memory refers to the new Windows Vista™ classification of graphics memory, which is the total of Dedicated Video Memory, System Video Memory and Shared System Memory. \*7 Does not support playback copyright protected contents recorded on Blu-ray Disc™. \*8 Compatibility confirmed with Sony branded "Memory Stick" media only. \*9 The copyright protection and high-speed data transfer features of the SD memory card are not supported. \*10 The maximum communication distance can vary depending on the obstacles or the distance between the communication devices, the radio waves, the operating system or the software being used. \*11 The communication speed varies depending on the distance between communication devices, existence of obstacles between such devices, the device configuration, the radio conditions, and the software in use. In addition, communication may be cut off depending on the radio conditions. \*12 Estimated battery life (under JEITA Battery Run Time Measurement Method ver. 1.0). Actual battery life may vary with different operating conditions and settings. For further details, please visit vaio-online.sony.com \*13 When a BDMV format disc is to be created, a hard disk margin of two times the capacity of the material other than the actual space necessary for itself, plus approximately 1GB is required. \*14 Free use of 90 days. Further update will be charged. \*15 AC adapter should be connected while the CPU is having a heavy workload, such as Blu-ray Disc™ playback, or playback may not be displayed properly because of the power saving feature. \*16 This product may only function with a genuine Sony battery designed for this model. \*17 Warranty conditions may vary by region.  
**Important notice when playing back Blu-ray Discs**  
 [Supporting Disc] • Supports writing data to BD-R 1.1 discs (single-layer discs with the capacity of 25GB, dual-layer discs with the capacity of 50GB) and BD-RE 2.1 discs (single-layer discs with the capacity of 25GB, dual-layer discs with the capacity of 50GB). The Blu-ray drive on your computer does not support BD-RE 1.0 discs and Blu-ray cartridge discs.  
 [Blu-ray Disc™ Playback] • As with other optical media devices, circumstances may limit compatibility or prevent Blu-ray Disc™ playback VAIO computers may not support movie playback on packaged media recorded in AVC or VC1 formats at high bit rates. • Requires compatible high-definition display for high definition playback. Playback of AACs protected media may require an HDCP compliant output and HDCP compliant display. • You may need to connect to the Internet when playing copyright protected Blu-ray Discs. • Region settings are required for Movies and BD-ROM contents. If the region setting and the region of the disc do not match, playback is not possible.  
 The trademarks, including but not limited to "SONY", "VAIO", "Memory Stick" and "SonicStage" are either trademarks or registered trademarks of Sony Corporation and/or its subsidiaries. Adobe, Adobe Photoshop, Adobe Reader and Adobe Premiere are trademarks of Adobe Systems Incorporated in the United States and/or other countries. Intel, the Intel logo, Centrino and the Centrino logo, Intel Core and Core Inside are trademarks or registered trademarks of Intel Corporation or its subsidiaries in the United States and other countries. Windows, Windows Vista and the Windows logo are trademarks or registered trademarks of Microsoft Corporation in the United States and/or other countries. All other product and brand names may be trademarks or registered trademarks of their respective owners. Whilst information given is true at time of printing, small production changes in the course of our company's policy of improvement through research and design might not necessarily be included in the specifications. E&OE. Actual models may differ slightly in appearance to illustrations provided.

Optional Accessories for VGN-FZ18G (availability depends on region)

<p><b>VGP-BPL8</b> Lithium-ion Battery (L)</p> <ul style="list-style-type: none"> <li>● Rechargeable Battery</li> <li>● Up to 4 hours of use*10</li> </ul> 	<p><b>VGP-SP100</b> 2.1ch Amplified Speakers</p> <ul style="list-style-type: none"> <li>● Unparalleled multimedia experience</li> <li>● Easy connectivity via USB 2.0</li> <li>● 1.2W Subwoofer plus bass balance</li> </ul> 
<p><b>VGP-CP12</b> Carrying Pouch</p> <ul style="list-style-type: none"> <li>● Slim, lightweight pouch sized for VAIO FZ</li> <li>● Handy zip fastener and stylish VAIO Logo</li> <li>● Polyurethane for scratch and dust protection</li> </ul> 	<p><b>VGP-MBC20</b> Black (B), Gray (H) Carrying Bag</p> <ul style="list-style-type: none"> <li>● Smart protection with style</li> <li>● Luxurious, abundant space</li> <li>● Retractable handle for portable ease</li> </ul> 

<p><b>VGP-BMS33</b> Silver (S), Black (B) Bluetooth® Laser Mouse</p> <ul style="list-style-type: none"> <li>● Smart wireless mouse for mobile use</li> <li>● Highly accurate laser sensor</li> <li>● Innovative PTFE sole for precise operation</li> <li>● Sensor resolution: 800 dots per inch</li> </ul> 
<p><b>VGP-UMS55</b> Silver (S), Black (B) USB Laser mouse</p> <ul style="list-style-type: none"> <li>● Ergonomic design naturally fits your hand</li> <li>● Highly accurate laser sensor</li> <li>● Innovative PTFE sole for precise operation</li> <li>● Sensor resolution: 800 dots per inch</li> </ul> 



- 1 Built-in MOTION EYE camera
- 2 Built-in microphone (monaural)
- 3 Built-in speakers (stereo)
- 4 Security slot
- 5 HDMI connector
- 6 S VIDEO OUT connector
- 7 Monitor connector (Analogue RGB, mini D-sub 15pin)
- 8 Hi-Speed USB (USB 2.0) connector
- 9 i.LINK™ (IEEE 1394) S400 connector
- 10 ExpressCard™/34 slot
- 11 S button
- 12 AV MODE button
- 13 Previous track button
- 14 VOL-/VOL+ buttons
- 15 Play/Pause button
- 16 Next track button
- 17 Stop button
- 18 Power button
- 19 WIRELESS switch
- 20 Memory Stick™ PRO/Duo media slot
- 21 SD memory card slot
- 22 Headphones jack
- 23 Microphone jack
- 24 Hi-Speed USB (USB 2.0) connectors
- 25 Optical disc drive
- 26 Drive eject button
- 27 DC IN connector
- 28 Network (Ethernet) connector
- 29 Modem connector

SONY



Intel® Centrino® Duo Processor Technology

VAIO FZ

VGN-FZ18G



Experience a new harmony of intelligence and elegance



vaio-online.sony.com



like.no.other

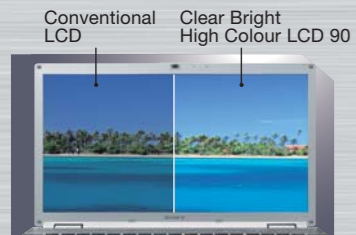
no more bounds

## Refined for beauty and intelligence

Give a highly favourable impression with the elegantly crafted VAIO FZ18G. It brings your movies to life on Sony's latest 15.4" wide Clear Bright High Colour LCD 90, which boasts the purest colour reproduction of any VAIO. Performance reaches new heights thanks to cutting-edge Intel® Centrino® Duo Processor Technology. And the disc drive enables Blu-ray Disc™ recording and playback, even on connected large-screen TVs via HDMI connector. Advance to the next generation with the sophisticated new VAIO FZ18G.



Full HD  
1080



▲ LCD Image Comparison



▲ Silver and Black Design



▲ AV Control Buttons



▲ Compact Design

### Colour your world with high definition

Savor the stunning image quality of Sony's latest 15.4" wide Clear Bright High Colour LCD 90 (WXGA: 1280 x 800), which reproduces remarkably accurate colour thanks to BRAVIA backlight technology. It's perfect for playing Blu-ray Disc™ movies, which can be recorded and played on connected large-screen TVs via HDMI cable. Sound Reality adds to the excitement with superior audio quality, and handy AV Control Buttons simplify operation. You can also video chat with friends, using the built-in MOTION EYE camera and microphone, as well as wirelessly communicate with Bluetooth®. Let the brilliant VAIO FZ18G enhance your mobile lifestyle.

### The beauty of refined craftsmanship

The new VAIO FZ18G is elegantly engineered with subtle refinements that convey excellent taste. Beautifully simple, its silver and black colour scheme complements any wardrobe and environment, whether at home or in the office. Lightweight for mobility, its dimensions are compact yet contain leading-edge features and a wide 15.4" LCD. Main body panels are constructed of Die-cast magnesium, a material prized everywhere for its remarkable beauty and rigidity. The speaker panel is accented by a precision brushed aluminium finish, a feature exclusive to this high-end model. Overall, it's a sophisticated, refreshing design that never goes out of style and makes you look your best wherever you go.



### Leap forward with leading performance

A genuine high-tech advantage is yours with the new VAIO FZ18G — the latest, leading-edge Intel® Centrino® Duo Processor Technology. Relish the exceptional performance of Intel® Core™2 Duo Processor T7500 (2.20GHz), next-generation Mobile Intel® PM965 Express Chipset, 800MHz Front Side Bus (FSB), and Intel® PRO/Wireless 3945ABG Network Connection. Thanks to Windows Vista™ Home Premium, the latest operating system, you'll enjoy intuitive operation and responsive search functions. Powerful NVIDIA® GeForce® 8400M GT GPU adds to the pleasure of HD movies and gameplay with accelerated graphics. All this exceptional performance is supported by a large-capacity 160GB HDD (Serial ATA, 5400rpm) and 1GB of DDR2 SDRAM 667MHz main memory. Whether you're utilizing media-rich applications or playing the latest 3D games, you'll appreciate the exhilarating response.

### Powerful Software for creative minds.

#### VIDEO & PHOTOS

**Click to DVD BD**  
Just click to create your own Blu-ray Disc™ with menu and superior-quality HD video content.

**VAIO Video & Photo Suite**  
Import and export a wide range of AV files simply and smoothly for playback and editing.

**Adobe® Premiere® Elements**  
Enjoy advanced editing of videos, photos, and music with this renowned software.

**Adobe® Photoshop® Elements**  
Add a personal touch to your prized still images and present them effectively to your friends.

**Roxio Easy Media Creator**  
Back up audio, image, and data files on CDs, DVDs, and BDs with ease for personal archiving.

WinDVD BD for VAIO / Windows® Photo Gallery

#### MUSIC

**SonicStage CP**  
Import the music you like from various sources, create your own playlists and send your music to a Walkman.\*

**SonicStage Mastering Studio**  
Convert analogue music to digitally enhanced audio\*\* with high-quality effector modules.

**SonicStage Mastering Studio Audio Filter**  
Enhance any audio content played on VAIO laptop PCs and enjoy it with excellent headphone presets.

#### SUPPORT

**VAIO Update**  
Alerting you to important changes via Internet that appear as reminder balloons on your desktop.\*\*\*

**Norton Internet Security™ 2007**  
Highly effective monitoring for viruses and spyware helps keep computing secure.\*\*\*\*

VAIO Recovery Utility / VAIO Hardware Diagnostics

#### Main features

Beautiful viewing: Clear Bright High Colour LCD 90	Built-in Camera: MOTION EYE	Network freedom: Wireless LAN 802.11a/b/g Bluetooth®	High-durability: Magnesium Body	Handy Presentation: Plug & Display	Direct Media Access: Memory Stick Slot/ SD Memory Card Slot	High-quality sound: Sound Reality Audio Chip
Simple entertainment access: AV Control Buttons	Connect to TV: HDMI Connector, S-Video Out Connector	Handy home use: 2.7kg	Battery stamina: Up to 2.5 hours			
<b>Basic specifications</b>						
Intel® Core™2 Duo Processor T7500 (2.20GHz)	Genuine Windows Vista™ Home Premium	15.4" WXGA display 1280 x 800	NVIDIA® GeForce® 8400M GT GPU	Blu-ray Disc™ Drive	Memory 1GB (Max 2GB)	Hard Disk Drive 160GB

\* Availability depends on region.  
\*\* Roland EDIROL AUDIO capture UA-25\* or UA-101\* USB audio interface device required.  
\*\*\* Internet connection required for use.  
\*\*\*\* Free use of 90 days. Further update will be charged.  
Note: Any copying or reproduction of copyrighted material may amount to copyright infringement. Song titles, names of artists and other information shown in the SonicStage CP screen capture are provided for illustrative purposes only.

