

SONY

Sony recommends Windows Vista™ Business.



Intel® Centrino® Duo Processor Technology

VAIO SZ

VGN-SZ453N/B



Distinct technology and sharp mobility.

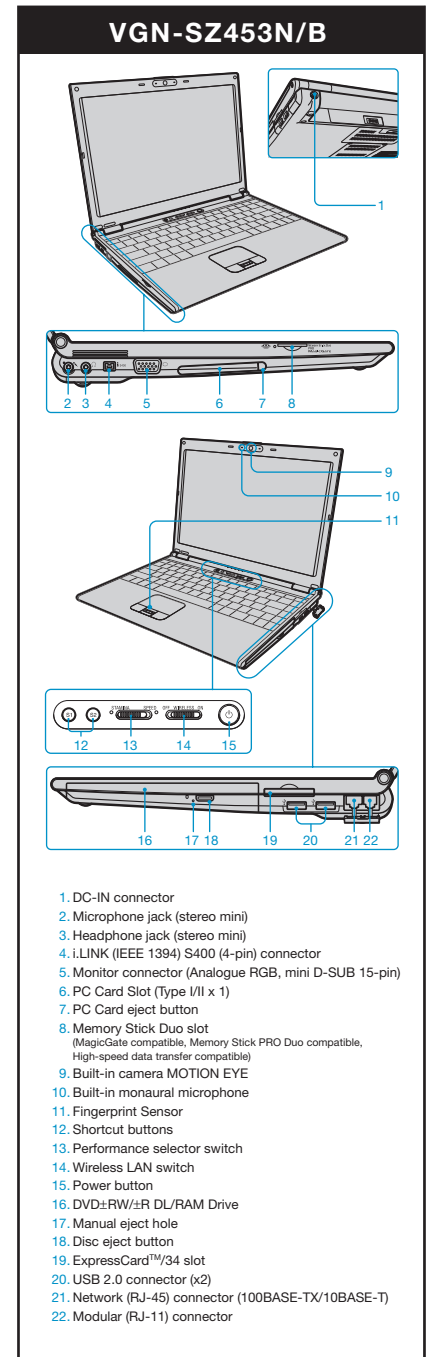
Specifications

Model	VGN-SZ453N/B
Processor Technology	Intel® Centrino® Duo Processor Technology • Intel® Core™2 Duo Processor T7200 (2GHz) ¹ *2 • Intel® PRO/Wireless 3945ABG Network Connection • Intel® 945GM Express Chipset
OS	Genuine Windows Vista™ Business (English version) with Traditional Chinese Language Pack
Processor System Bus	667MHz
Memory Bus	533MHz
Cache Memory	4MB Advanced Smart Cache
Main Memory	Pre-installed / Max 1GB ³ (upgradeable up to 2GB)
SO-DIMM slots	2 SO-DIMM slots (The pre-installed memory module uses one)
Hard Disk Drive	120GB (HDD recovery storage max. 7GB ⁴ , C: Remain) Serial ATA, 5400rpm
Drive	DVD±RW/±R DL/RAM Drive
Optical Disc Drive	Maximum Reading Speed DVD+R: 8x (Single Layer), 6x (Double Layer) / DVD-R: 8x (Single Layer), 6x (Dual Layer) / DVD+RW: 8x / DVD-RW: 8x / DVD-ROM: 8x / DVD-RAM: 5x / CD-ROM: 24x / CD-R: 24x / CD-RW: 24x
Optical Drive	Maximum Writing Speed DVD+R: 8x (Single Layer), 4x (Double Layer) / DVD-R: 8x (Single Layer), 4x (Dual Layer) / DVD+RW: 8x / DVD-RW: 6x / DVD-RAM: 5x / CD-R: 24x / CD-RW: 16x
Graphics Accelerator	NVIDIA® GeForce® Go 7400 notebook graphics processing unit (GPU) (SPEED MODE) / Intel® Graphics Media Accelerator 950 (STAMINA MODE)
Total Available Graphics Memory (Max)⁵	319MB (SPEED MODE) / 224MB (STAMINA MODE)
Display	13.3" Wide (WXGA: 1280 x 800) TFT Colour display (Clear Bright LCD)
USB	High Speed USB 2.0 x 2
i.LINK (IEEE 1394)	4pin (S400) x 1
Network (RJ-45) Connector	10Base-T/100Base-TX x 1
Display Output Connector	Analogue RGB, mini D-sub 15pin x 1
Headphone	stereo mini jack x 1
Microphone	stereo mini jack x 1
Modem	V.92 and V.90 Compliant x 1
Memory Stick Slot	Memory Stick Duo Slot (MagicGate compatible, Memory Stick PRO Duo compatible, High-speed data transfer compatible) ⁶
DC IN	x 1
Others	Docking Station Connector x 1
Wireless LAN	• Integrated Wireless LAN IEEE 802.11a/b/g ⁷ • Intel® PRO/Wireless 3945ABG Network Connection • Data rate: maximum 11Mbps (802.11b) / 54Mbps (802.11a/g) ⁸ • Frequency: 5GHz (802.11a), 2.4GHz (802.11b/g)
Bluetooth	Bluetooth standard Ver. 2.0+EDR
Compatible Memory Cards⁹	• Memory Stick (Standard/Duo Size, MagicGate, Memory Stick PRO) ¹⁰ • SD Memory Card ¹¹ • Multi Media Card • xD-Picture Card
PC Card Slot	• ExpressCard™/34 x1 • Type I/II x 1
Fingerprint Sensor	x 1
Security Chip	TCG Ver.1.2 compliant Trusted Platform Module (TPM)
Camera	• Effective Pixels: 640 x 480 • Image Device: 1/8" VGA CMOS • Lens: 2 elements in 2 groups, F4 • Focus distance: f=1.74mm
Audio	• DSD compatible high quality sound chip: "Sound Reality" (Intel® High Definition Audio compatible) • 3D audio (Direct Sound 3D support) • Built-in stereo speakers • Built-in monaural microphone
Keyboard / Input Device	• Approx. 19mm key pitch / 3.0mm keystroke • 86 keys • Intelligent Touchpad
Battery	Bundled Battery VGP-BPS2C Lithium-ion battery: up to 5.5 hours of use
Life¹²	Optional Long Battery VGP-BPL2C Lithium-ion battery: up to 8.5 hours of use
Dimensions (W x H x D)	315 x 24.7 - 36.0 x 234.3mm
Weight	1.85kg (including the supplied battery)
Included Software	• Video Edit/Playback: DVGate Plus 2.3, VAIO Video & Photo Utility 1.0, Adobe® Premiere® Elements 3.0 (Installer), VAIO Edit Components 6.1 (Installer), WinDVD for VAIO 8.0 • DVD Creation: Click to DVD 2.6 • Music: SonicStage CP 4.2, SonicStage Mastering Studio 2.3, SonicStage Mastering Studio Audio Filter 2.3 • Still Image/Photo: Windows® Photo Gallery, Adobe® Photoshop® Elements 5.0 (Installer) • Home Network: VAIO Media 6.0 • Tool: Roxio Easy Media Creator 9.0 (Installer), Adobe® Reader® 7, Norton Internet Security™ 2007 ¹³ • Utilities: VAIO Control Center 2.0, VAIO Camera Utility 2.0, VAIO HDD Protection 2.0, Infineon TPM Professional Package (Installer), Protector Suite QL 5.3 • Support: VAIO Recovery Utility, VAIO Update 3.0, VAIO Hardware Diagnostics 3.3
Supplied Accessories	• AC Adaptor (VGP-AC19V12) • Lithium-ion battery (VGP-BPS2C) ¹⁴ • Memory Card Adapter (VGP-MCA20)
Warranty	One year ¹⁵

Features and specifications are subject to change without notice.

¹ CPU speed will be reduced under certain operating conditions. ² Intel® Virtualization Technology is not supported on VAIO. ³ If memory modules of the same capacity are installed to both of the two memory module slots, computer will run in dual channel mode and provide better performance. ⁴ Necessary data for recovery (setting back to initial shipment settings) in the hard disk drive consuming approximately 7GB in size is available separately. ⁵ Total Available Graphics Memory refers to the new Windows Vista classification of graphics memory, which is the total of Dedicated Video Memory, System Video Memory and Shared System Memory. ⁶ Compatibility confirmed with Sony branded "Memory Stick" media only. ⁷ The maximum communication distance can vary depending on the obstacles or the distance between the communication devices, the radio waves, the operating system or the software being used. ⁸ The communication speed varies depending on the distance between communication devices, the existence of obstacles between such devices, the device configuration, the radio conditions, and the software in use. In addition, communication may be cut off depending on the radio conditions. ⁹ Including cards that can be inserted in direct slots and the supplied memory card adaptor (VGP-MCA20). ¹⁰ As for the Memory Stick PRO media, only Sony branded media is recommended to use with the Memory Card Adapter (VGP-MCA20). Not compatible with SD Memory Cards of more than 2GB capacity such as SDHC Memory Card. ¹¹ The copyright protection and high-speed data transfer features of the SD memory card are not supported (VGP-MCA20). ¹² Estimated battery life (under JEITA Battery Run Time Measurement Method ver. 1.0). Actual battery life may vary with different operating conditions and settings. Estimated battery life at "SPEED MODE" will be approximately 1.5 hours shorter for VGP-BPS2C and approximately 2.0 hours shorter for VGP-BPL2C. For further details, please visit vaio-online.sony.com ¹³ Free use of 90 days. Further update will be charged. ¹⁴ This product may only function with a genuine Sony battery designed for this model. ¹⁵ Warranty conditions may vary by region.

The trademarks, including but not limited to "SONY", "VAIO", "Memory Stick" and "SonicStage" are either trademarks or registered trademarks of Sony Corporation and/or its subsidiaries. Adobe, Adobe Photoshop, Adobe Reader and Adobe Premiere are trademarks of Adobe Systems Incorporated in the United States and/or other countries. Intel, the Intel logo, Centrino and the Centrino logo, Intel Core and Core Inside, are trademarks or trademarks of Intel Corporation or its subsidiaries in the United States and other countries. Windows, Windows Vista and the Windows logo are trademarks or registered trademarks of Microsoft Corporation in the United States and/or other countries. All other product and brand names may be trademarks or registered trademarks of their respective owners. Whilst information given is true at time of printing, small production changes in the course of our company's policy of improvement through research and design might not necessarily be included in the specifications. E&OE. Actual models may differ slightly in appearance to illustrations provided.



1. DC-IN connector
2. Microphone jack (stereo mini)
3. Headphone jack (stereo mini)
4. i.LINK (IEEE 1394) S400 (4-pin) connector
5. Monitor connector (Analogue RGB, mini D-SUB 15-pin)
6. PC Card Slot (Type I/II x 1)
7. PC Card eject button
8. Memory Stick Duo slot (MagicGate compatible, Memory Stick PRO Duo compatible, High-speed data transfer compatible)
9. Built-in camera MOTION EYE
10. Built-in monaural microphone
11. Fingerprint Sensor
12. Shortcut buttons
13. Performance selector switch
14. Wireless LAN switch
15. Power button
16. DVD±RW/±R DL/RAM Drive
17. Manual eject hole
18. Disc eject button
19. ExpressCard™/34 slot
20. USB 2.0 connector (x2)
21. Network (RJ-45) connector (100BASE-TX/10BASE-T)
22. Modular (RJ-11) connector

Optional Accessories for VGN-SZ453N/B (availability depends on region)

VGP-PRSZ1 Docking Station

- Monitor connector
- Network connector
- USB 2.0 connector (x3)



VGP-CKSZ1 Carrying Case

- Integrated "VAIO Smart Protection™" for PC cushion
- Solid design matching VAIO SZ



VGP-BPL2C Lithium-ion Battery (L)

- Rechargeable battery
- Up to 8.5 hours of use¹²



VGP-CP8 VAIO Carrying Pouch

- Accommodates large-capacity battery
- Supplied mini-pouch for accessories



VGP-BMS33 Silver (S), Black (B) Bluetooth® Laser Mouse

- Smart wireless mouse for mobile use
- Highly accurate laser sensor



VGP-UMS55 Silver (S), Black (B) USB Laser Mouse

- Ergonomic design naturally fits your hand
- Highly accurate laser sensor



vaio-online.sony.com

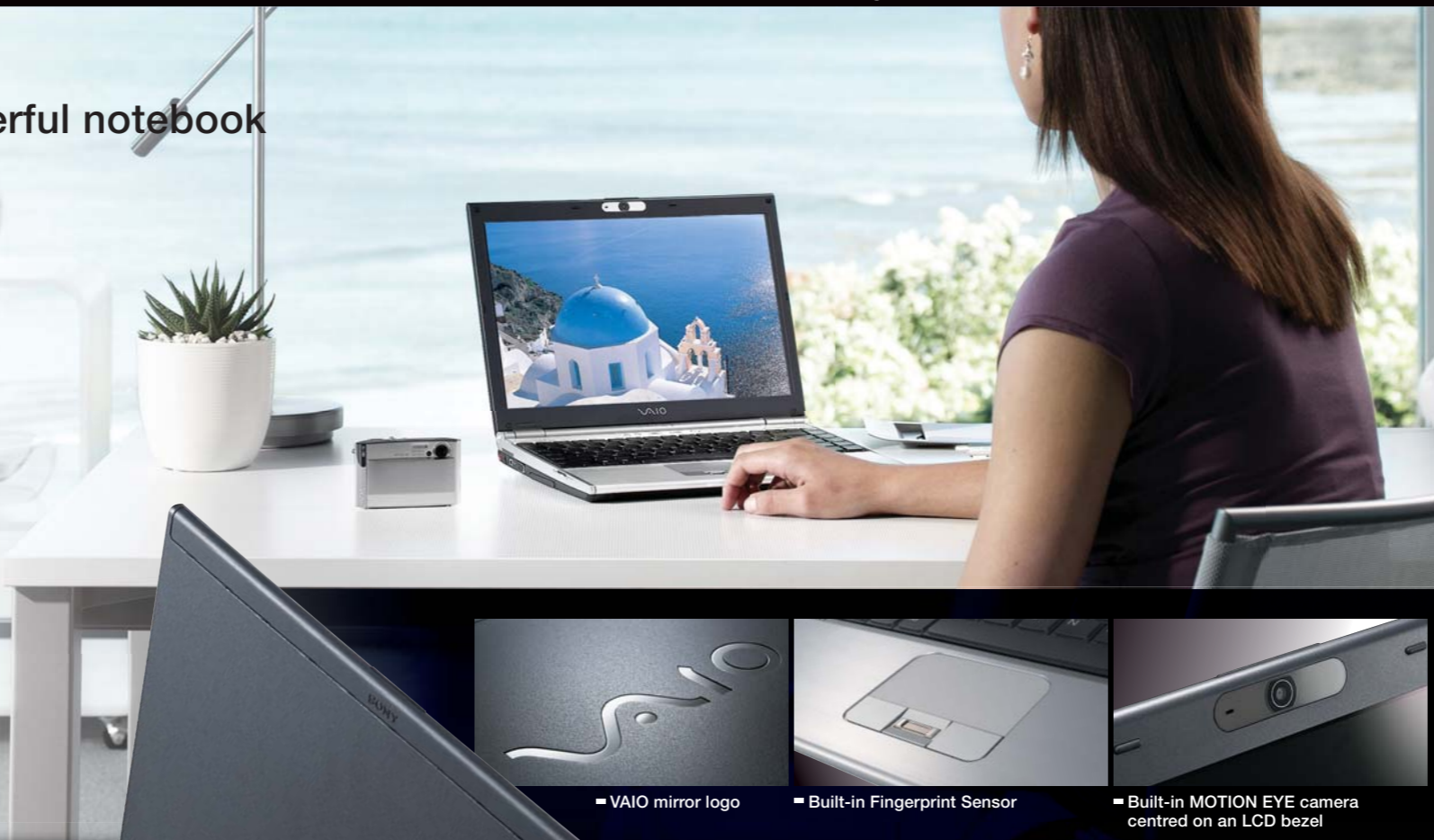
like.no.other

VAIO
no more bounds



Exceptional mobility and style in a powerful notebook VGN-SZ453N/B

The 13.3" wide VAIO SZ453N/B has several high-performance features to meet business needs while you're on the go. Advanced Intel® Centrino® Duo Processor Technology (featuring the latest Intel® Core™2 Duo Processor) delivers powerful performance, while Sony's original Hybrid Graphic System offers freedom to choose the graphic accelerator you need. With characteristic 13.3" wide Clear Bright LCD plus full-pitched, full-sized keyboard, the VAIO SZ453N/B offers optimum usability for all-around computing and multimedia. What's more, two-toned colouring with exclusive Charcoal Black and light silver, plus the high-quality aluminium hairline palm rest, brings extra stylishness to the overall design. And these are just some of the advances concentrated into a 13.3" wide mobile notebook — that's the VAIO SZ453N/B.



- Advanced tech styled in a 13.3" wide size

VAIO SZ453N/B's 13.3" wide size offers optimum display space for efficient business use or movies. Open an application window with a task menu, or two in horizontal layout. Also efficient are the latest



operating system, Windows Vista™ Business, and features offering leading technology. Innovative Intel® Centrino® Duo Processor Technology ensures extremely smooth and powerful mobile performance featuring the latest Intel® Core™2 Duo Processor T7200 (2GHz), and advanced chipset (Intel® 945GM Express Chipset) supported by FSB 667MHz, and Intel® PRO/Wireless 3945ABG Network Connection. Sony's unique Hybrid Graphic System offers a choice of external NVIDIA® GeForce® Go 7400 GPU or internal graphics accelerator. Use SPEED MODE for 3D games, video playing or editing, and STAMINA MODE for various mobile scenes.



- Mobile endurance and security

For powerful mobile performance, long-lasting stamina is essential. VAIO SZ453N/B offers up to 5.5 hours* with standard battery VGP-BPS2C, up to 8.5 hours* with optional battery VGP-BPL2C. In addition, VAIO SZ453N/B is equipped with a TPM security chip, biometric fingerprint sensor, and HDD password capability for quick log-on and extra data security. Fast and smooth mobility comes from VAIO SZ453N/B's compatibility with wireless LAN standards IEEE 802.11a, IEEE 802.11b and IEEE 802.11g (Wi-Fi). And, by sensing shakes or shocks and securing the HDD, VAIO HDD Protection with integrated 3D acceleration sensor prevents important data loss.

* Estimated battery life (under JEITA Battery Run Time Measurement Method ver.1.0). Actual battery life may vary with different operating conditions and settings. Estimated battery life at "SPEED MODE" will be approximately 1.5 hours shorter for VGP-BPS2C and approximately 2 hours shorter for VGP-BPL2C.



- Communication advantages + AV

VAIO SZ453N/B features advanced mobile PC communication with built-in MOTION EYE camera and mic. Simply turn on MOTION EYE for convenient videoconferencing. Or use Bluetooth®-compatible headsets with applications for smooth voice communication. VAIO SZ453N/B also features versatile audiovisual capabilities. Sony's Sound Reality audio chip takes sound performance to a superior level. And SonicStage Mastering Studio Audio Filter with 4 exclusive sound presets works superbly with specially recommended headphones*. With VAIO SZ453N/B's DVD±RW/±R DL/RAM Drive, archiving your digital masterpieces like home videos, edited movies, or photos couldn't be smoother. For flexible editing capability, take advantage of the integrated Memory Stick Duo slot and ExpressCard™/34 slot plus bundled Memory Card Adapter. Communicate, create, and listen with VAIO SZ453N/B!

Recommended headset



Sony Ericsson BHB-PV705*

Powerful Software for creative minds.

VIDEO & PHOTO

Click to DVD
Create video and photo DVDs on DVD±RW/±R DL or DVD-RAM discs in one click, with 5.1 surround sound.

VAIO Video & Photo Utility
Import and export a wide range of AV files simply and smoothly for playback and editing.

Adobe® Premiere® Elements
Enjoy advanced editing of videos, photos, and music with this renowned software.

Adobe® Photoshop® Elements
Add a personal touch to your prized still images and present them effectively to your friends.

Roxio Easy Media Creator
Back up audio, image, and data files on CDs and DVDs with ease for personal archiving.

WinDVD for VAIO / Windows® Photo Gallery

MUSIC

SonicStage CP
Import the music you like from various sources, create your own playlists and send your music to a Walkman.*

SonicStage Mastering Studio
Convert analogue music to digitally enhanced audio** with high-quality effector modules.

SonicStage Mastering Studio Audio Filter
Enhance any audio content played on VAIO laptop PCs and enjoy it with excellent headphone presets.

SUPPORT

VAIO Update
Alerting you to important changes via Internet that appear as reminder balloons on your desktop.***

Norton Internet Security™ 2007
Highly effective monitoring for viruses and spyware helps keep computing secure.****

VAIO Recovery Utility / VAIO Hardware Diagnostics

+ Main features

High durability: Magnesium body	Beautiful viewing: Clear Bright LCD	Built-in Camera: MOTION EYE	Light for its size: 1.85kg	Network freedom: Wireless LAN 802.11a/b/g / Bluetooth®	Handy presentation: Plug & Display
Instant ID recognition: Fingerprint Sensor	Assured security: TPM Security Chip / Hard Disk Password	Comfortable typing: Full-pitched Keyboard	Content sharing: Memory Stick Duo Slot	Broad media capability: Memory Card Adapter	High quality sound: Sound Reality Audio Chip

+ Basic specifications

Intel® Core™2 Duo Processor T7200 (2GHz)	Genuine Windows Vista™ Business	13.3" WXGA display 1280 x 800	NVIDIA® GeForce® Go 7400 GPU
DVD±RW/±R DL/ RAM Drive	Memory 1GB (Max 2GB)	Hard Disk Drive 120GB	

* Availability depends on region.
** Related EDIROL AUDIO capture UA-25* or UA-101* USB audio interface device required.
*** Internet connection required for use.
**** Free use of 90 days. Further update will be charged.
Note: Any copying or reproduction of copyrighted material may amount to copyright infringement. Song titles, names of artists and other information shown in the SonicStage CP screen capture are provided for illustrative purposes only.

